

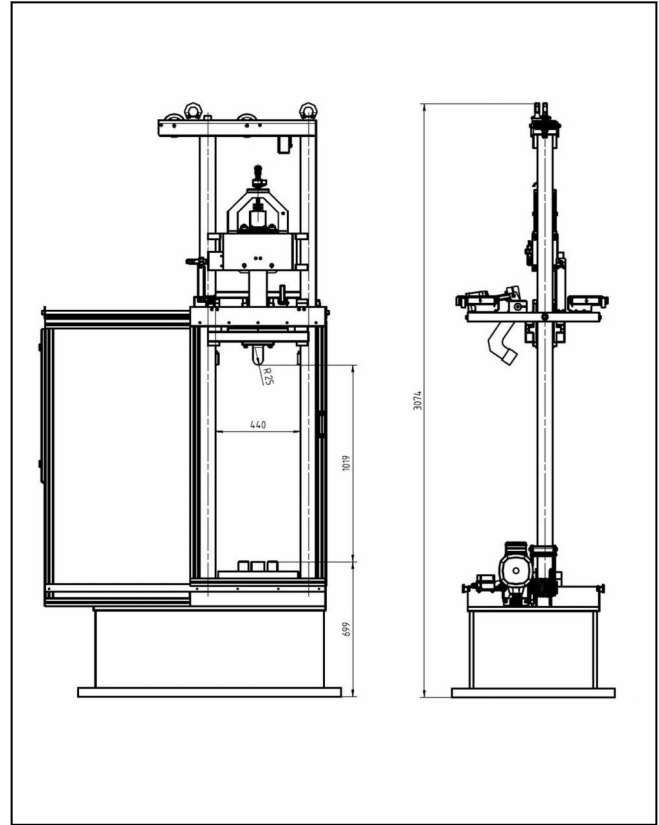
Product Information

ZwickRoell drop weight testers Pellini P550 und P1650

CTA: 12117 12118



ZwickRoell drop weight tester Pellini P550 with 1 m drop height



Drawing: ZwickRoell drop weight tester Pellini P550 with 1 m drop height

Application range

Testing of "Pellini-specimens" according to ASTM-E 208 and SEP 1325.

Advantages and features

- Modular "building block" system with two sizes
- Interchangeable flexure inserts and fixtures.
- Electrical and mechanical test-area safeguards with safety circuit - the test does not begin until all safety switch contacts have been interrogated.
- Independent pneumatically operated safety interlocking safeguards test area against accidents
- Touchscreen operation with electronic display of drop height, drop energy, drop weight and impact velocity (theoretically)
- The steplessly adjustable drop height is automatically achieved after input of drop weight and drop energy
- No extra foundation required. Floor must be capable of carrying a specific load of 0.3 kg/cm²

Product Information

ZwickRoell drop weight testers Pellini P550 und P1650

Model Item No.	P550 022317	P1650 024571	
Drop energy	340 ... 550	340 ... 1650	J
Drop height max.	1000	1300	mm
Drop weight	24.8 ... 56	24.8 ... 130	kg
Total weight	2534	2620	kg
Drop speed max.	4.4	5	m/s
Dimensions			
A – height approx.	3074	3374	mm
B – width approx.	1550	1550	mm
C – depth approx.	840	840	mm
Power rating	2	2	kW
Compressed air	8	8	bar
Specimens			
P1	no	yes	
P2	yes	yes	
P3	yes	yes	
P4	yes	yes	

Specimen dimensions SEP	Length	Width	Thickness	
P1	360 ± 10	90 ± 2,0	25 ± 0,3	mm
P2	130 ± 10	50 ± 1,0	19 ± 0,2	mm
P3	130 ± 10	50 ± 1,0	16 ± 0,2	mm
P4	130 ± 10	50 ± 1,0	13 ± 0,2	mm

Specimen dimensions ASTM	Length	Width	Thickness	
P1	356	89	25,4	mm
P2	127	51	19	mm
P3	127	51	15,9	mm