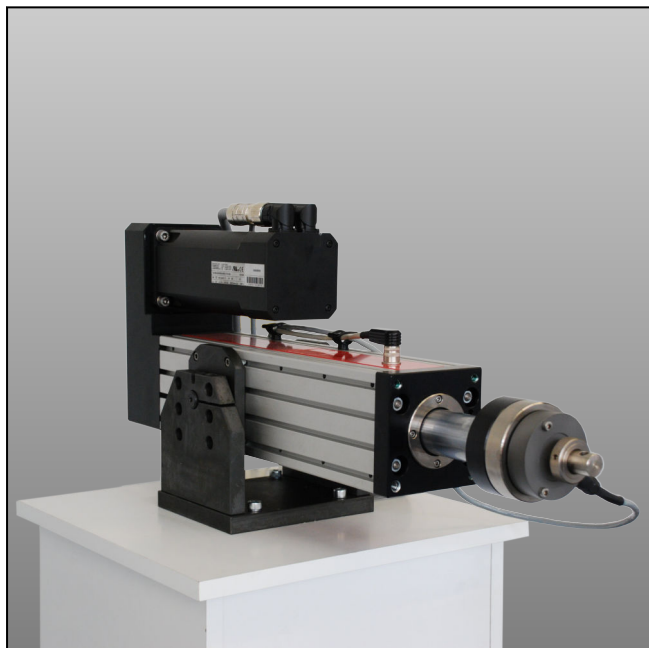


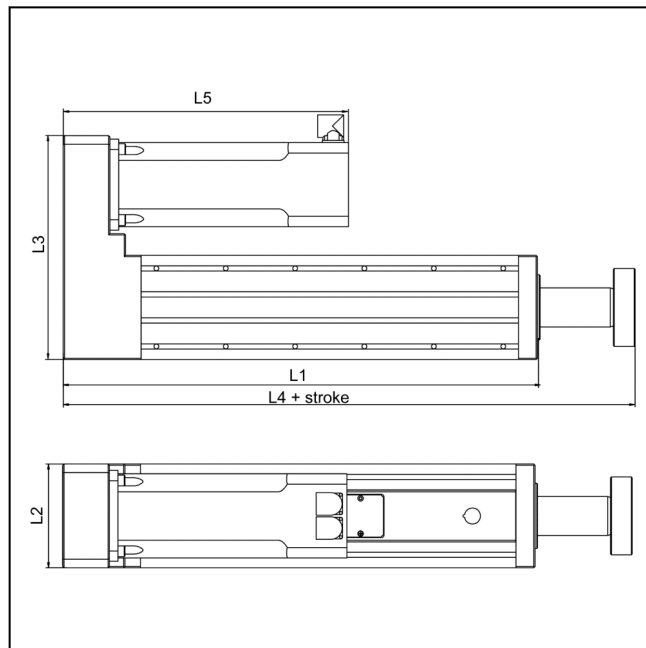
## Product Information

### Electro-mechanical testing actuator EZ001 / EZ002 / EZ005

CTA: 99719 76180



Electro-mechanical testing actuator - small type



Drawing of electro-mechanical testing actuator

#### Range of application

Multi-purpose testing axis for tensile and compression applications. For variable integration in test stands, production lines or customized constructions. Dedicated for force/travel measurements with high demands on resolution, accuracy and speed.

Typical application areas:

- Testing of materials, assemblies, components and complete end products
- Manufacturing processes with measurement performance (e.g. automatic assembly, mounting)
- Cyclic tests with large strokes

#### Advantages and features

Flexible usage:

- Variable mounting via front or rear flange or via trunion mount
- measurement and control electronics testControl II in separate casing and therewith optional positionable (Optional in IP54 casing)

- Flexible programming of test sequences due to versatile interfaces
- Ideally usage for clean room areas

High performance:

- Speeds up to 30 m/min
- High resolution measurement and control electronics *testControl II* for precise data acquisition with up to 2000 Hz
- Closed loop control of force and travel with smooth switching between those modes

Large variety of standard modules:

- Easy mounting of ZwickRoell load cells and tooling
- Operation via standard PC and testXpert III software
- Proven digital drive technology controlled by Zwick-Roell standard electronics

Easy to install and maintain:

- Installation possible without additional infrastructure (like e.g. hydraulic pumps or pneumatic connections)
- Low maintenance costs and long lifetime

## Product Information

### Electro-mechanical testing actuator EZ001 / EZ002 / EZ005

Model I	EZ001	EZ001	EZ002	EZ002	EZ005	
<b>Electromechanical servo testing actuator</b>						
Fmax (tensile/compression)	1	1	2	2	5	kN
Test speed, max.	7500	30000	7500	15000	5000	mm/m in
Test speed, max.	125	500	125	250	83	mm/s
Travel resolution	2.38	19.07	2.38	9.54	3.18	nm
Positioning repetition accuracy	±2.5	± 6	± 2.5	± 6	±2.5	µm
L1 – Length	547	547	547	547	547	mm
L2 – Width	120	120	120	120	120	mm
L3 – Depth	270	282	270	282	282	mm
L4 – Length including piston rod	660	670	660	660	660	mm
L4 – Length including motor	275	329	275	329	329	mm
Total weight, approx.	22	26	22	26	26	kg
Piston stroke, max.						
- Standard	200	180	200	200	200	mm
- Alternative	400	380	400	400	400	mm
Ambient temperature	+10 to +35	+10 to +35	+10 to +35	+10 to +35	+10 to +35	°C
Air humidity	20 – 90	20 – 90	20 – 90	20 – 90	20 – 90	%
<b>testControl II measurement and control electronics</b>						
Measurement range	≤165	≤165	≤165	≤165	≤165	%
Recording rate, internal	400	400	400	400	400	kHz
Measurement value transmission rate to PC	500	500	500	500	500	Hz
Adjustable (optional)	2000	2000	2000	2000	2000	Hz
Electrical connection	230	230	230	230	230	V, 1 Ph/N/ PE
Power consumption, max.	2200	2200	2200	2200	2200	VA
Power frequency	50/60	50/60	50/60	50/60	50/60	Hz
<b>Item No.</b>						
Standard piston stroke	<b>1023356</b>	<b>1023358</b>	<b>1023360</b>	<b>1023362</b>	<b>1023364</b>	
Alternative piston stroke <sup>1)</sup>	<b>1023357</b>	<b>1023359</b>	<b>1023361</b>	<b>1023363</b>	<b>1023365</b>	

1) Length and weight are different with alternative piston stroke

### Required accessories

Description	Item number
Load cell Fmax. 1 kN	<b>637918</b>
Load cell Fmax. 2 kN	<b>637919</b>
Load cell Fmax. 5 kN	<b>637920</b>

## Product Information

Electro-mechanical testing actuator EZ001 / EZ002 / EZ005

### Optional accessories

Description	Item number
Load frame	<b>636311</b>
IP54 casing	<b>1026595</b>
Remote control	<b>1025096</b>
Safeguard	<b>1027004</b>
Trunnion mounting	<b>636380</b>