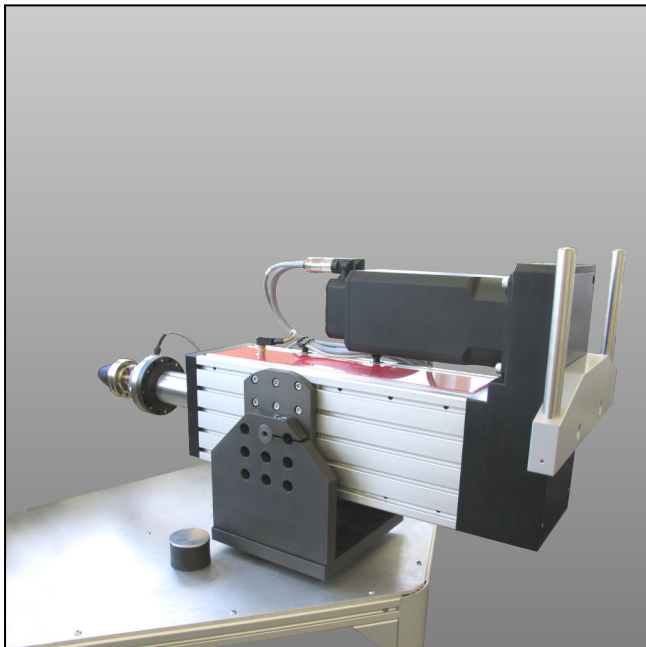


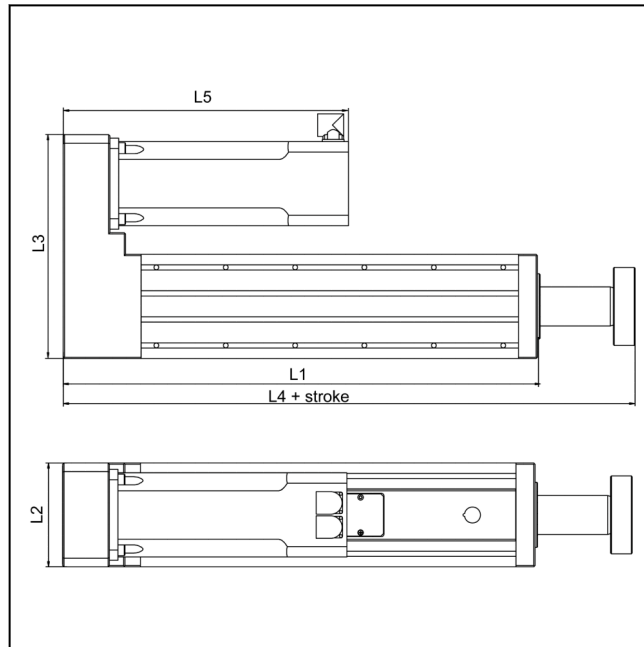
Product Information

Electro-mechanical testing actuator EZ005 / EZ010 / EZ020 / EZ030

CTA: 92023 76180



Electro-mechanical testing actuator - large type



Drawing of electro-mechanical testing actuator

Range of application

Multi-purpose testing axis for tensile and compression applications. For variable integration in test stands, production lines or customized constructions. Dedicated for force/travel measurements with high demands on resolution, accuracy and speed.

Typical application areas:

- Testing of materials, assemblies, components and complete end products
- Manufacturing processes with measurement performance (e.g. automatic assembly, mounting)
- Cyclic tests with large strokes

Advantages and features

Flexible usage:

- Variable mounting via front or rear flange or via trunion mount
- measurement and control electronics testControl II in separate casing and therewith optional positionable (Optional in IP54 casing)
- Flexible programming of test sequences due to versatile interfaces
- Ideally usage for clean room areas

High performance:

- Speeds up to 30 m/min
- High resolution measurement and control electronics *testControl II* for precise data acquisition with up to 2000 Hz
- Closed loop control of force and travel with smooth switching between those modes

Integration in production lines:

- Optional plug-in card provides freely definable digital inputs and outputs
- Easy integration of additional measurement devices (e.g. digital multi-meters)

Large variety of standard modules:

- Easy mounting of ZwickRoell load cells and tooling
- Operation via standard PC and testXpert III software
- Proven digital drive technology controlled by Zwick-Roell standard electronics

Easy to install and maintain:

- Installation possible without additional infrastructure (like e.g. hydraulic pumps or pneumatic connections)
- Low maintenance costs and long lifetime

Product Information

Electro-mechanical testing actuator EZ005 / EZ010 / EZ020 / EZ030

Model II	EZ005	EZ010	EZ010	EZ020	EZ030	
Electromechanical servo testing actuator						
Fmax (tensile/compression)	5	10	10	20	30	kN
Test speed, max.	30000	3300	15000	7500	6000	mm/m in
Test speed, max.	500	55	250	125	100	mm/s
Travel resolution	9.54	2.1	4.77	2.38	2.19	nm
Positioning repeat accuracy	±8	±8	±8	±8	±8	µm
L1 – Length	669	669	669	669	669	mm
L2 – Width	180	180	180	180	180	mm
L3 – Depth	385	385	385	385	385	mm
L4 – Length including piston rod	837	837	837	837	837	mm
L4 – Length including motor	385	340	385	385	385	mm
Total weight, approx.	72	65	72	72	72	kg
Piston stroke, max.						
- Standard	200	200	200	200	200	mm
- Alternative	400	400	400	400	400	mm
Ambient temperature	+10 to +35	+10 to +35	+10 to +35	+10 to +35	+10 to +35	°C
Air humidity	20 – 90	20 – 90	20 – 90	20 – 90	20 – 90	%
testControl II measurement and control electronics						
Measurement range	≤165	≤165	≤165	≤165	≤165	%
Recording rate, internal	400	400	400	400	400	kHz
Measurement value transmission rate to PC	500	500	500	500	500	Hz
Adjustable (optional)	2000	2000	2000	2000	2000	Hz
Electrical connection						
1 Ph/N/PE		230				V
3 Ph/N/PE	400		400	400	400	V
Power consumption, max.	5000	2200	5000	5000	5000	VA
Power frequency	50/60	50/60	50/60	50/60	50/60	Hz
Item No.						
Standard piston stroke	1023367	1023370	1023373	1023378	1023380	
Alternative piston stroke ¹⁾	1023368	1023371	1023374	1023379	1023381	

1) Length and weight are different with alternative piston stroke

Required accessories

Description	Item number
Load cell Fmax. 5 kN	642595
Load cell Fmax. 10 kN	1008815
Load cell Fmax. 20 kN	318936
Load cell Fmax. 30 kN	325642

Product Information

Electro-mechanical testing actuator EZ005 / EZ010 / EZ020 / EZ030

Optional accessories

Description	Item number
Load frame	639728
IP54 casing	1026595
Remote control	1025096
Safeguard	1027007
Trunnion mounting	639752