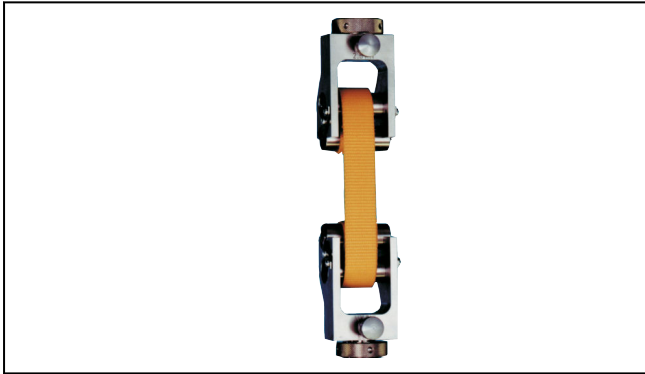


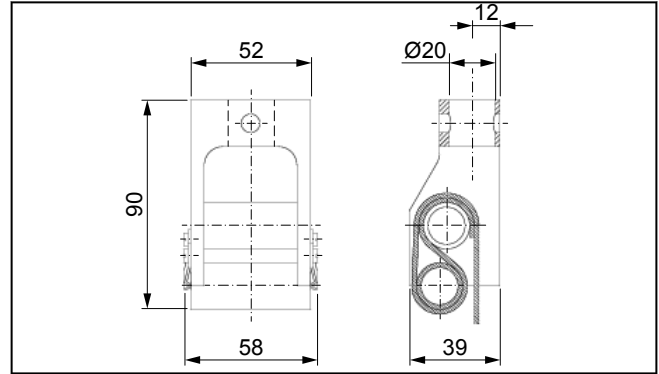
## Product Information

### Roller grips, Type 8263 Fmax 2.5 kN

CTA: 43495 40223



Roller grips, Type 8263 (Fmax 2.5 kN)



Type 8263 roller grips, Fmax 2.5 kN, general view

#### Applications

- Specimen material:  
textiles
- Specimen shape:  
strips (belt, strap)
- Type of loading:  
tensile

#### Function description

These roller grips are used for testing tensile strip specimens.

In tests with these grips optical extensometers are used for accurate strain measurement.

The self-clamping action of the grips is generated by multiple looping of the specimen and the application of tensile force.

#### Advantages and features

- Low overall height of the specimen grips allows specimens with large elongations to be tested.
- Suitable for tests in temperature chambers
- The grips are suitable for clamping-sensitive specimens.

## Product Information

Roller grips, Type 8263 Fmax 2.5 kN

### Technical data

Type Item No.	8263 313438	
Test load F <sub>max</sub>	2.5	kN
Dimensions		
Height	90	mm
Width	58	mm
Depth	39	mm
Roller diameter	20	mm
Roller width (= clamping width)	40	mm
Roller surface	steel, smooth	
Specimen thickness, max.	2	mm
Specimen length, min.	500	mm
Weight per grip unit, approx.	0.4	kg
Connection, mounting stud	Ø 20	mm
Ambient temperature	-70 to +250	°C
Scope of delivery	2	pieces