

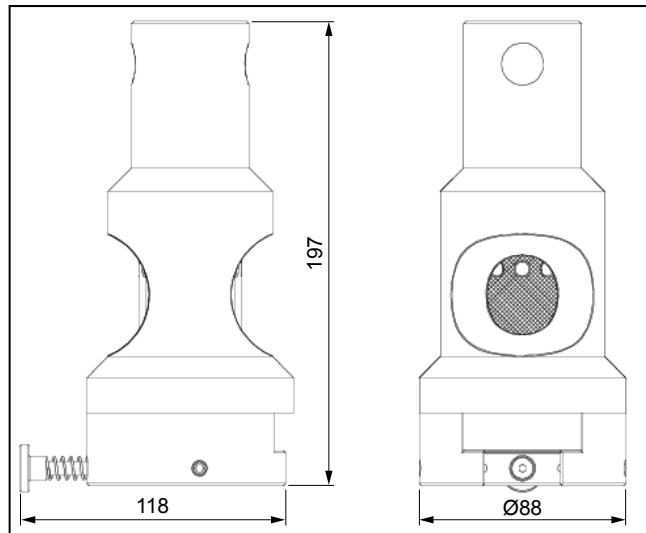
Product Information

Specimen grips for dumbbell, threaded and threaded-end specimens Type 8496, Fmax 50 kN

CTA: 98216 31248



Specimen grips for dumbbell, threaded and threaded-end specimens Type 8496, Fmax 50 kN



Specimen grips for dumbbell, threaded and threaded-end specimens Type 8496, Fmax 50 kN, general view

• Specimen material:

Steel, non-ferrous metals, plastics

• Specimen shape/type of loading/standards:

Tensile test for

- Threaded fittings to DIN 50125 shape B and ISO 6892
- Screws with a plane head support (e.g., to EN ISO 4762, EN 24017, DIN 6912) in accordance with DIN EN ISO 898-1 (straight tensile test)
- Dumbbell specimens to DIN 50125, shape C
- Dumbbell specimens to GOST 1497

Function description

With self-aligning tension grips the force is applied to the specimen positively via the shoulder or threaded end.

The specimen is inserted with the corresponding specimen holder into the specimen grip that can be accessed from the front. It then centers itself in the tensile axis.

The specimen grip can be purchased with or without fixed tensioning.

Advantages and features

- Absolute symmetrical force distribution is ensured through various design details.
 - Anti-backlash option for specimen holders: Play-free specimen location enables precise alignment in the tensile axis — essential for use with optical extension measurement systems.
 - Symmetrical bearing surfaces in the specimen grips: The specimen holders bear on two symmetrical contact surfaces in the specimen grips.
 - Specimen fully enclosed by all specimen holders: All specimen holders completely surround the specimen. A support sleeve is placed around the split holders for dumbbell specimens.
- This also prevents them from spreading, minimizing holder recoil at specimen break.
- Low overall height saves space in the test area.
- Pure Mechanical solution: Pneumatic control unit and hydraulic power pack are not required.

Product Information

Specimen grips for dumbbell, threaded and threaded-end specimens Type 8496, F_{max} 50 kN

Technical data

Item No.	320717	
Type	8496	
Operating principle/identification	Form fitting force transmission	
Pre-stressing	Yes	
Test load F _{max}	50	kN
Height without inserts	197	mm
Outer diameter, max.	88	mm
Connection, stud	Ø 36	mm
Ambient temperature	-70 ... +250	°C
Scope of delivery	2	pieces

Accessories required

Specimen holders for threaded-end specimens

For tests to DIN 50125 Type B / ISO 6892: 2 specimen holders for threaded-end specimens required

For tests to EN 20898-2/ EN ISO 898-1: 1 specimen holder for threaded-end specimens and 1 specimen holder for button-head specimens required

Scope of delivery: 1 piece

Description	Item number
Thread size M3, F _{max} 10 kN	320725
Thread size M4, F _{max} 15 kN	320727
Thread size M5, F _{max} 25 kN	320729
Thread size M6, F _{max} 35 kN	320731
Thread size M8, F _{max} 50 kN	320733
Thread size M10, F _{max} 50 kN	320735
Thread size M12, F _{max} 50 kN	320865
Thread size M14, F _{max} 50 kN	320867
Thread size M16, F _{max} 50 kN	320869

Specimen holders for dumbbell specimens

For tests to EN ISO 898-1 (straight tensile test): 1 specimen holder for threaded-end specimens and 1 specimen holder for button-head specimens required

Scope of delivery: 1 piece

Description	Item number
Screw size M3, F _{max} 10 kN	320737
Screw size M4, F _{max} 15 kN	320739
Screw size M5, F _{max} 25 kN	320741
Screw size M6, F _{max} 35 kN	320743

Product Information

Specimen grips for dumbbell, threaded and threaded-end specimens Type 8496, Fmax 50 kN

Description	Item number
Screw size M8, Fmax 50 kN	320745
Screw size M10, Fmax 50 kN	320747

Specimen holders for button-head specimens (split)

For tests to DIN 50125, Type C: 1x required

Scope of delivery: 2 pieces

Description	Item number
Specimen Ø 4 mm, Fmax 20 kN	320749
Specimen Ø 5 mm, Fmax 30 kN	320751
Specimen Ø 6 mm, Fmax 50 kN	320753
Specimen Ø 8 mm, Fmax 50 kN	320755
Specimen Ø 10 mm, Fmax 50 kN	320757

Specimen holders for button-head specimens (split)

For tests to GOST 1497 Type II: 1x required

Scope of delivery: 2 pieces (comprising 4 parts)

Specimen diameter d_0 [mm]	Shouldered end diameter D [mm]	Test load F_{max} [kN]	makroXtens at $L_0 = 5 \times d_0$ [mm]	makroXtens at $L_0 = 10 \times d_0$ [mm]	Item No.
4	11	20	yes	yes	1073960
5	12	30	yes	yes	3003195
6	13	50	yes	yes	1073961
8	16	50	yes	yes	1073906
10	20	50	yes	yes	1073907

Specimen holders for button-head specimens (split)

For tests to GOST 1497 Type III: 1x required

Scope of delivery: 2 pieces (comprising 4 parts)

Specimen diameter d_0 [mm]	Shouldered end diameter D [mm]	Test load F_{max} [kN]	makroXtens at $L_0 = 5 \times d_0$ [mm]	makroXtens at $L_0 = 10 \times d_0$ [mm]	Item No.
3	7	15	No	yes	021360
4	9	20	yes	yes	021778
5	11	30	yes	yes	021787
6	12	50	yes	yes	021789
8	13	50	yes	yes	021804
10	16	50	yes	yes	021812