

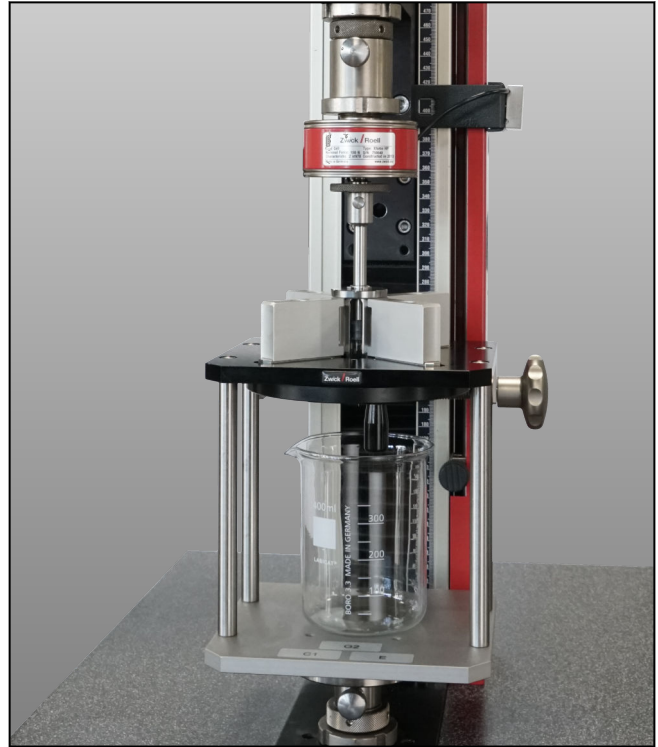
Product Information

Test device for determining breakaway force and glide force

CTA: 160834 269996



Test fixture for determining breakaway force and glide force



Test fixture for determining breakaway force and glide force, with carpule mounting

Applications

Tests on hypodermic syringes, carpules and similar drug delivery systems to determine the forces on the cap (breakaway force, glide force). The glide force test is based on the following standards: EN ISO 11499 and ISO 11040-4.

• Specimen material:

syringes, carpules, similar drug-delivery systems

Advantages and features

- Customized holders can easily be attached.
- Device has apertures for visual monitoring of glide path.
- Insertion and removal of specimens via quick-release fastener allows specimen diameter setting to be maintained.
- Adjustable specimen-holders allow all established specimen geometries to be used. Adjustment to suit specimen diameter is stepless and tool-free and is carried out via a handwheel.
- Carpule-holders are optionally available for standard sizes 1.5 ml and 3.0 ml.
- testXpert III allows direct connection to an optional balance.

Product Information

Test device for determining breakaway force and glide force

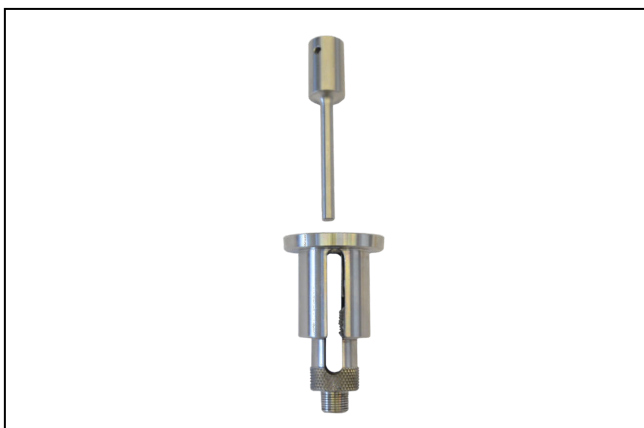
Technical data

Item No.	082865	
Test load F_{max}	1	kN
Syringe diameter	5 ... 50	mm
Gripping ranges		
Gripping range 1 for syringe/carpule diameter	5 ... 26	mm
Gripping range 2 for syringe/carpule diameter	24 ... 50	mm
Syringe length	30 ... 150	mm
Height	220	mm
Width	220	mm
Depth	155	mm
Weight, approx.	3	kg
Ambient temperature	+10 ... +35	°C
Connection, lower	Connector TK 40/75 mm Base crosshead (zwickiLine)	
Scope of delivery	Lower holding fixture, upper die, beaker for the collection of exiting fluids	

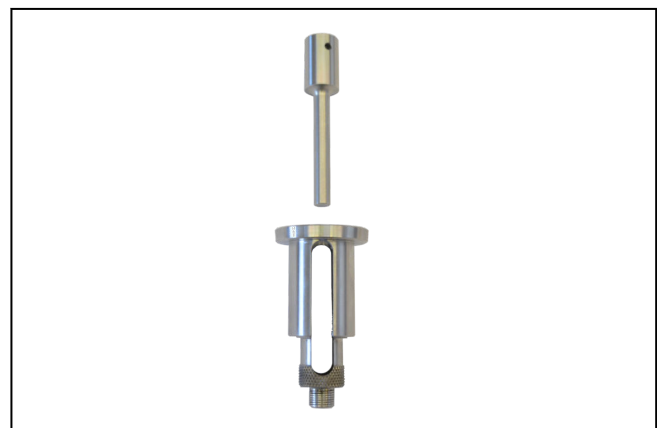
Optional accessories

Description	ArticleNumber
Carpule mounting 1.5 ml, incl. die \varnothing 5.0 mm, with connection \varnothing 8 mm	1092819
Carpule mounting 3.0 ml, incl. die \varnothing 6.8 mm, with connection \varnothing 8 mm	1092820
Mettler scale, type WXSS204 with terminal including shielding ring for reducing interference with regard to weighing accuracy	088354
Mettler Toledo scale WXSS205DUV with terminal including shielding ring for reducing interference with regard to weighing accuracy	3011816

CTA: 265705 265706



Carpule mounting 1.5 ml with die \varnothing 5.0 mm, connection \varnothing 8 mm



Carpule mounting 3.0 ml with die \varnothing 6.8 mm, connection \varnothing 8 mm